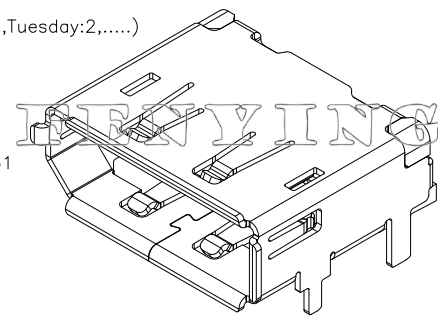
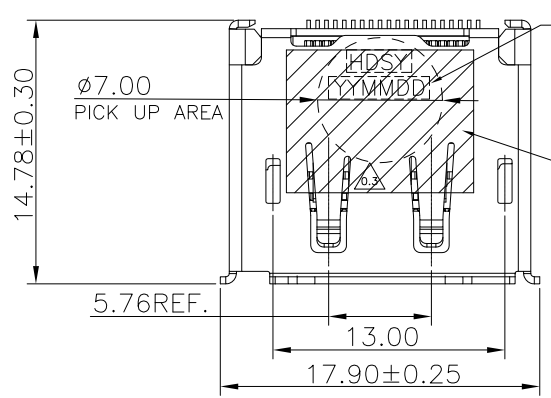


RoHS compliant HALOGEN FREE



SERIES NO. DP01XXX 1XXX0XXNL

NUMBER OF POSITION 20: 20-POSITION

CONTACT STYLE S: SOCKET

CONTACT MATERIALS 1: BRASS

CONTACT FINISH 7: G/F MATTE TIN, 8: 15u" GOLD MATTE TIN, 9: 30u" GOLD MATTE TIN, 5: G/F FULL GOLD

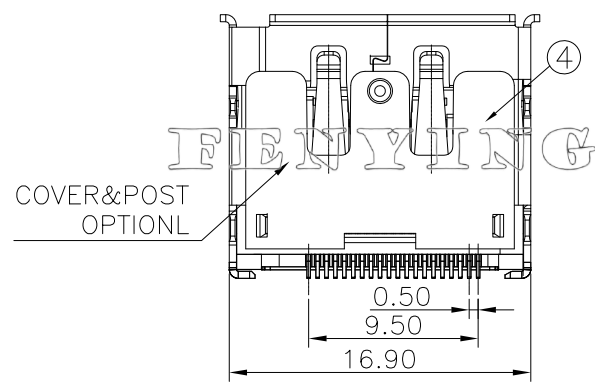
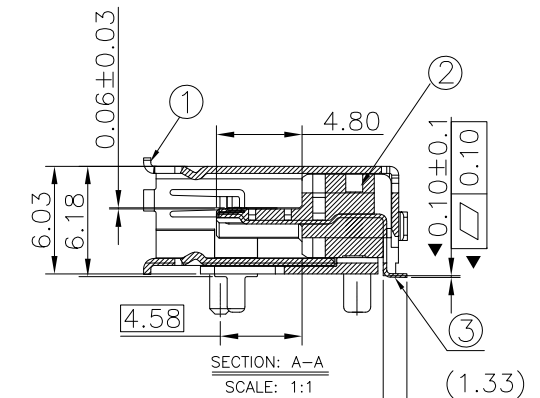
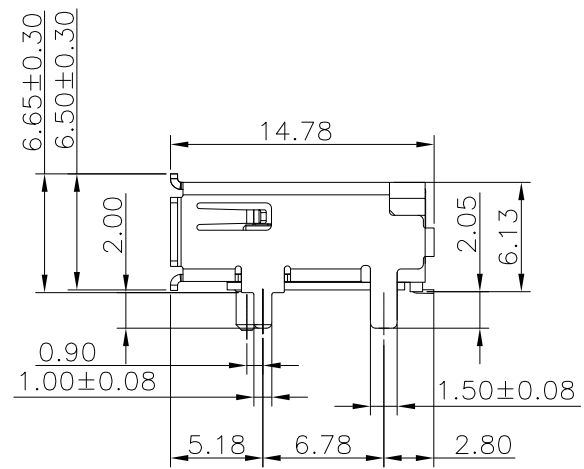
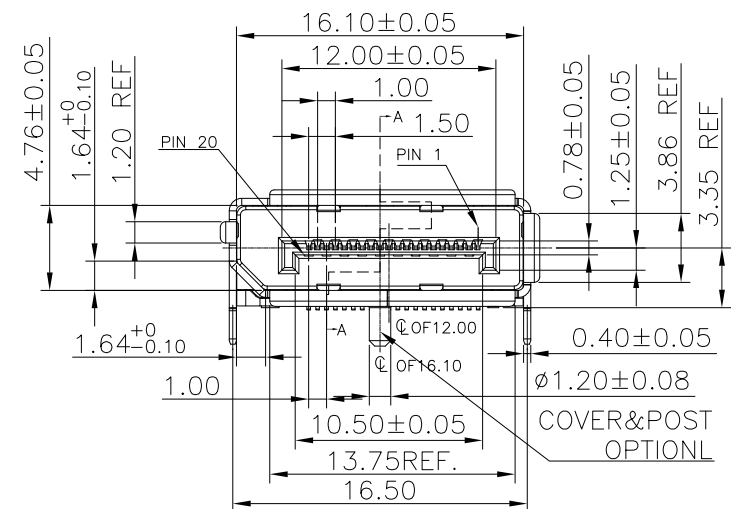
INSULATOR MATERIALS 1: PBT, 2: LCP

COLOR STYLE 1: ALL BLACK

STYLE A: QUAD FINGER BOARDLOCK

FRONT SHELL FINISH 8: SOLDERABLE NICKEL

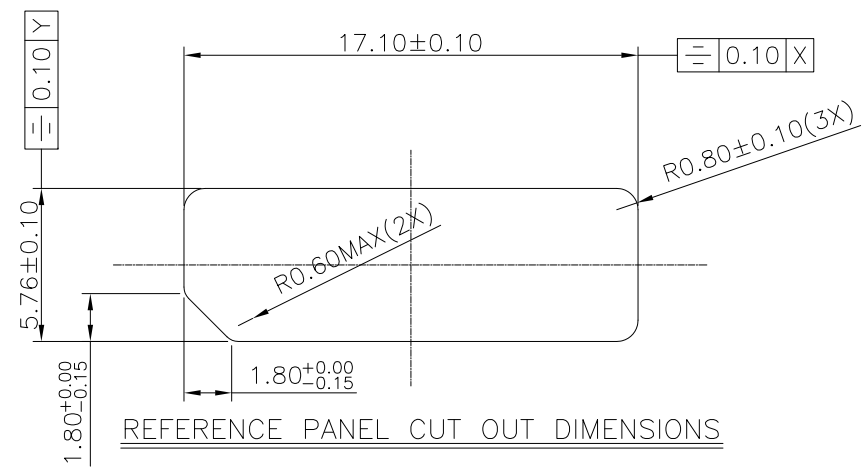
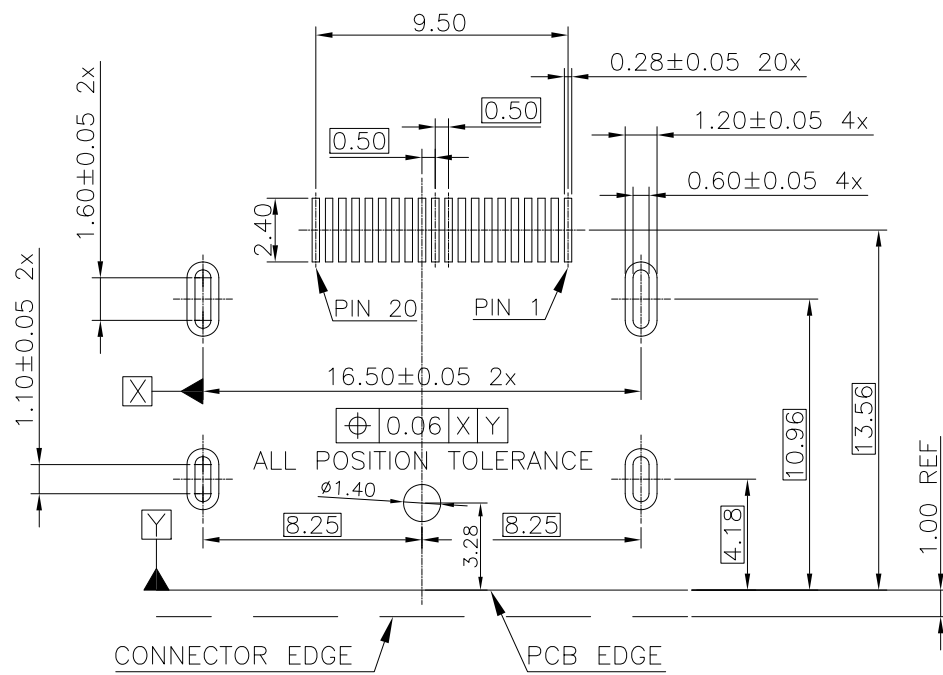
N: IT'S COMPLIANT WITH RoHS



1	THERMOPLASTIC UL94V-0	HOUSING COVER	④
20	COPPER ALLOY	CONTACT	③
1	THERMOPLASTIC UL94V-0	HOUSING	②
1	COPPER ALLOY	SHELL	①
QTY'S	SPECIFICATION	PART	ITEM

A0		An issue.		2017.07.07	
REV.	CONTENTS			DATE	
①	Drawn	Shao jianfeng			
	Designed	He Wei			
	Approval	Lee Jun De			
	Scale	1:1	Size	A4	
	SHEET	2/2	Units	mm	
<b>FEN YING®</b>					
ENTERPRISES CO.,LTD					
Title:			DP01 SERIES		
DISPLAYPORT RECEPTACLE SMT TYPE, WITH POST					
File NO.		C-ED-B-DP01-010			
Drawing NO.		DP0120S1X8A012NL			

UNLESS OTHERWISE SPECIFIED TOLERANCE mm:  
.00 = ±0.20  
.000 = ±0.13  
Ang: 0.0 = ±2°



RECOMMENDED P.C.B. LAYOUT (THICKNESS=1.60mm)  
TOLERANCE UNSPECIFIED ±0.05mm

SPECIFICATIONS:

1. MECHANICAL :
  - 1.1 INSERTION FORCE :44.1 N MAX
  - 1.2 WITHDRAWAL FORCE :9.8 N MIN.  
AFTER 5,000 CYCLES MATING: 0.3kgf MIN.
2. ELECTRICAL :
  - 2.1 CONTACT CURRENT RATING: 0.5A MIN.
  - 2.2 VOLTAGE RATING :40V AC (rms)
  - 2.3 WITHSTANDING VOLTAGE: 500 VAC FOR 1 MINUTE.  
INSULATION RESISTANCE: 100 MEGAOHMS MIN.
  - 2.4 CONTACT RESISTANCE: 30 MILLIOHMS MAX.
3. ENVIRONMENTAL :
  - 3.1 OPERATING TEMPERATURE: -40°C TO +85°C

A0		An issue.		2017.07.07		<b>FEN YING</b> <sup>®</sup> ENTERPRISES CO.,LTD	
REV.	CONTENTS			DATE			
<p>UNLESS OTHERWISE SPECIFIED TOLERANCE mm: .00 = ±0.20 .000 = ±0.13 Ang: 0.0 = ±2°</p>	Drawn		Shao jianfeng		DISPLAYPORT RECEPTACLE SMT TYPE, WITH POST		
	Designed		He Wei				
	Approval		Lee JIun De				
	Scale	1:1	Size	A4	File NO.	C-ED-B-DP01-010	
SHEET	2/2	Units	mm	Drawing NO.	DP0120S1X8A012NL		